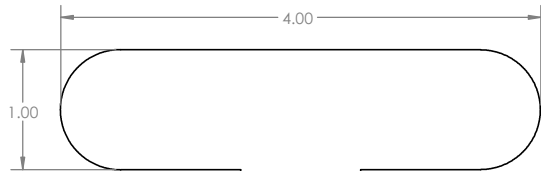


4

3

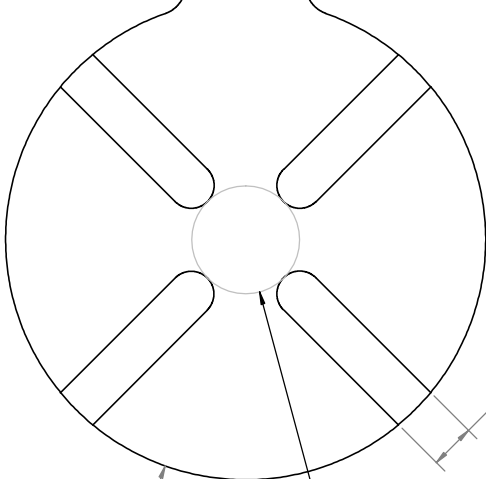
2

1



**HBS USA 1.25 2500
A516-70N B16 P1A**

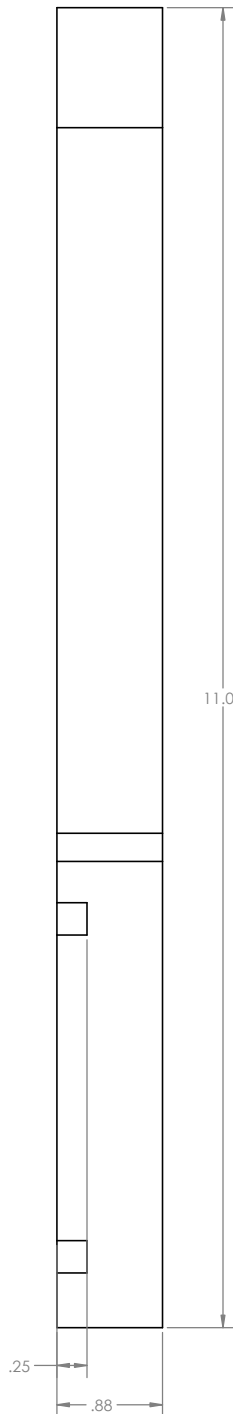
1.00



Ø 4.00

Ø .90

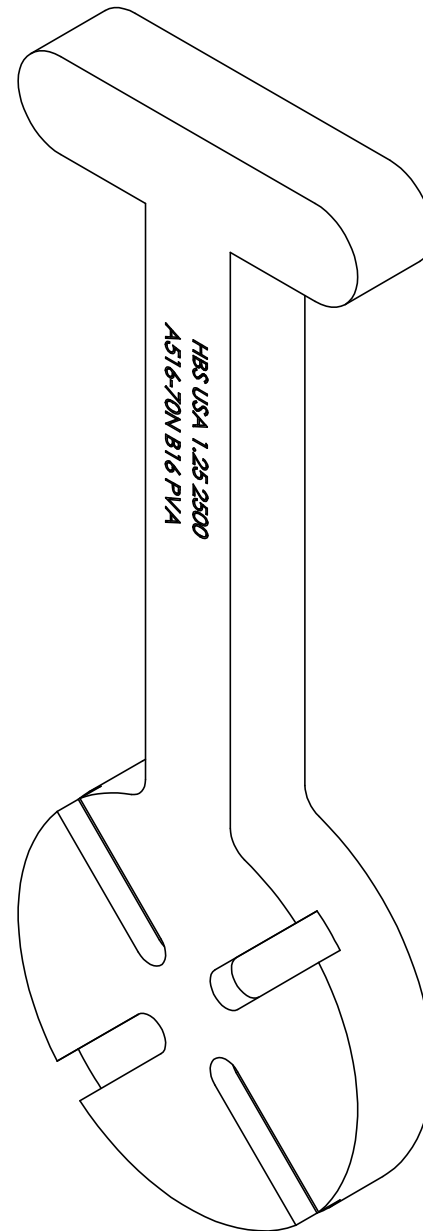
4X .38



11.00

.25

.88



**HBS USA 1.25 2500
A516-70N B16 P1A**

DO NOT SCALE PRINT		UNLESS OTHERWISE SPECIFIED: OUTSIDE DIAMETER: (+/-0.12) INSIDE DIAMETER: (+/-0.12) THICKNESS TOLERANCES (-ZERO +0.12) ALL UNITS IN INCHES OR POUNDS		HYDROBLIND -SOLUTIONS
MATERIAL: CUSTOMER REQUESTED		SHEET 1 OF 1		
DATE: 08/10/2020	DIMENSIONS & TOLERANCES TO BE IN ACCORDANCE WITH ASME B16.48	WEIGHT 6 lb	DRAWING TITLE: 1-1/4 CL 2500 PURGE PADDLE BLIND	
SCALE 1:0.75	SIZE C	DRAWING NUMBER: GPPBI	REV 00	

4

3

2

1

D

D

C

C

B

B

A

A